

Overture DH

Lever door handle range

For use on PVCu, timber or composite doors

A high performance range of zinc and aluminium door handles suited with Overture E window handles. Available in sprung lever/lever and lever/pad variations.



Features and Benefits

- Tested to over 100,000 cycles
- All finishes tested in excess of 240 hours salt spray testing
- Short (211.5mm) and long (240mm) baseplate options
- Sprung handles
- Supplied with two spindle lengths and two screw lengths as standard
- Each pair individually packaged
- Colour coordinated screw heads

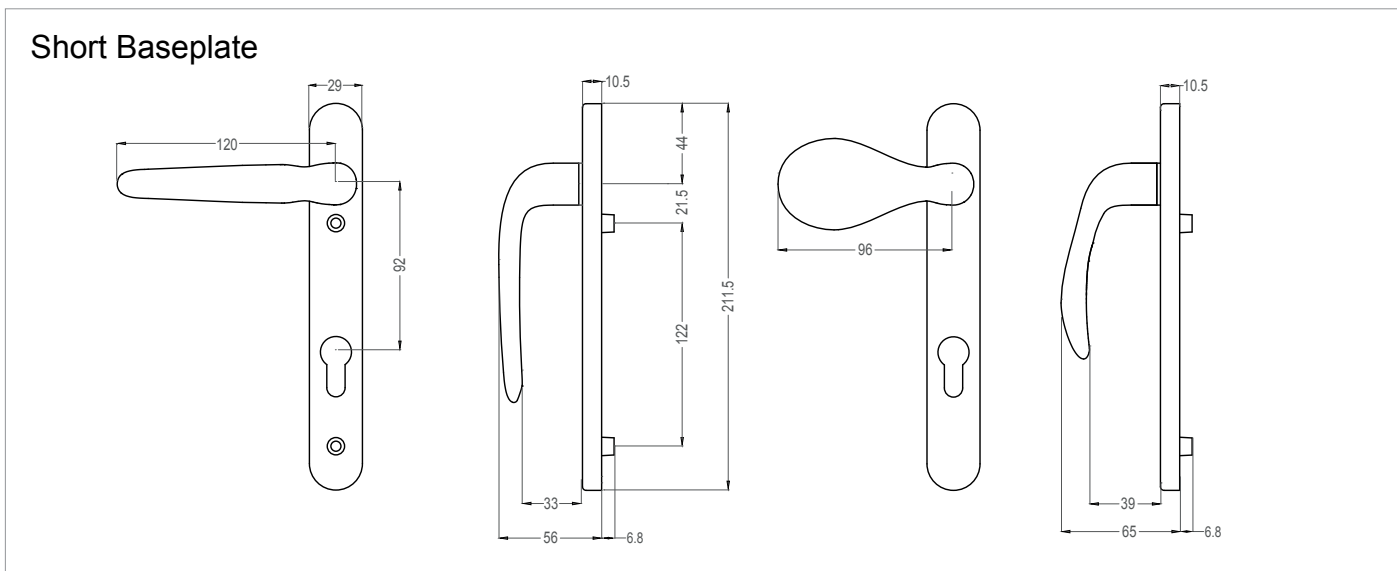
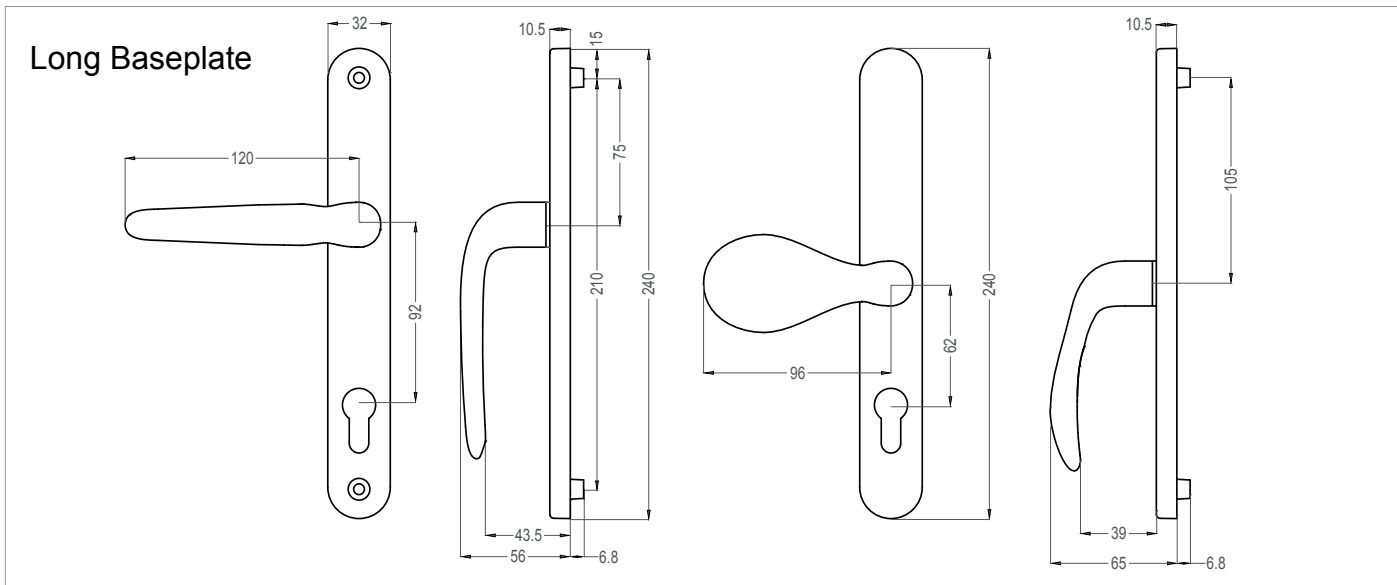


Product	Door Width (mm)	Product Code	
		Zinc DH-Z	Aluminium DH-A
Overture DH-Z or DH-A 210 L1/L1 (Door Handle Short Baseplate Lever1/Lever1)	40-70	TN8100	TN8104
Overture DH-Z or DH-A 210 L1/P1 (Door Handle Short Baseplate Lever1/Pad1*)	40-70	TN8101	TN8105
Overture DH-Z or DH-A 240 L1/L1 (Door Handle Long Baseplate Lever1/Lever1)	40-70	TN8102	TN8106
Overture DH-Z or DH-A 240 L1/P1 (Door Handle Long Baseplate Lever1/Pad1**)	40-70	TN8103	TN8107

*: Split Spindle - Door lock specific spindle may be required

NB: Reduction of spindle and/or screws may be required to achieve the full door width range

** : Offset Spindle



Manufactured from

Die cast aluminium
Die cast zinc

Standards

Salt spray tested to 240 hours (BS EN1670 Grade 3)
Cycle tested to 100,000 cycles as per EN1906: 2002

Finishes

Note: Not all products are available in all finishes listed below. Please contact for availability.

Suffix product code with: -020 (White Paint) , -102 (PVD Gold) , -812 (Polished Chrome), -825 (Satin Chrome), -002 (Black Paint), -009 (Dark Chrome)